
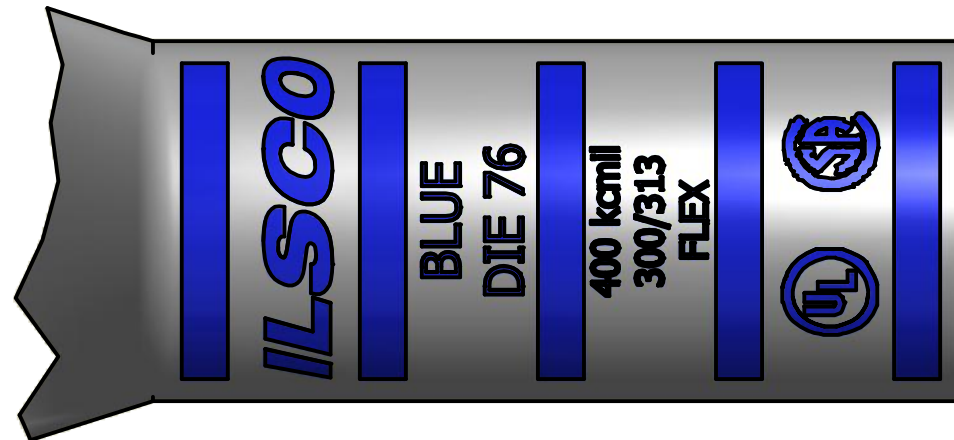
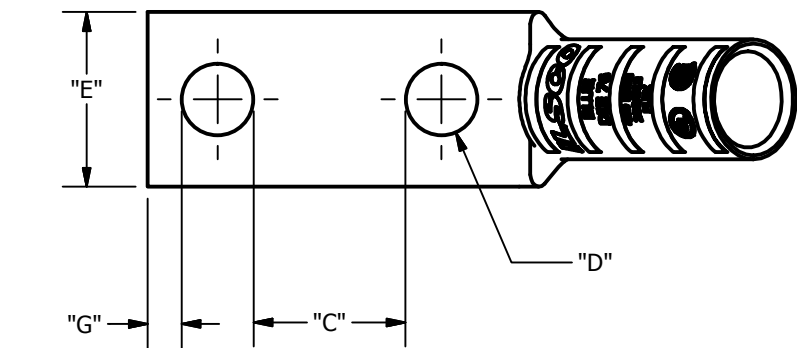
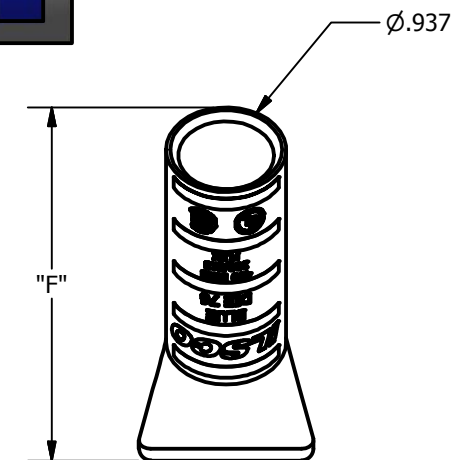
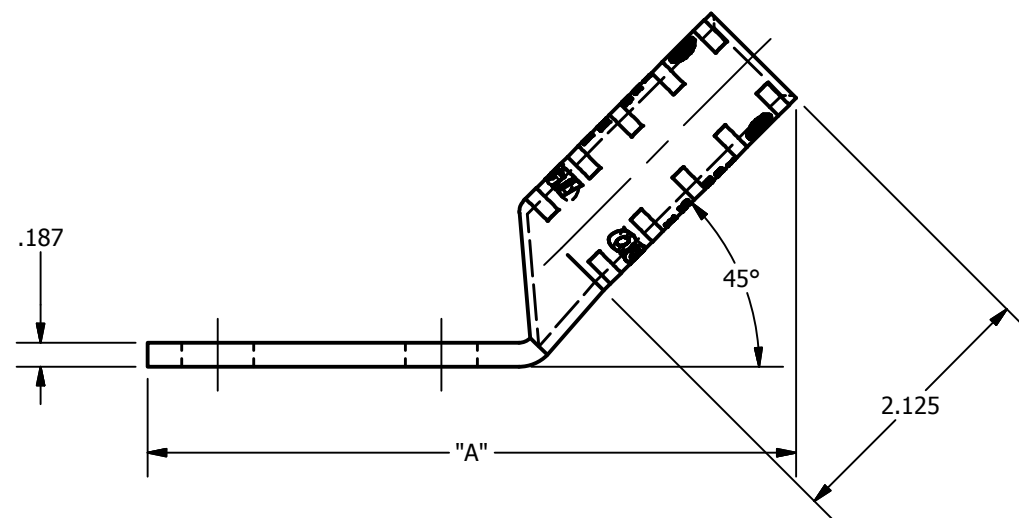


SCREW: NONE	MATERIAL: COPPER	REV: D	 <i>connections matter</i> 800-776-9775 www.ilSCO.com
CAT. NO.: SEE CHART	PLATING: EL-TIN	DRAWN BY:DW SCALE: NTS	
INFORMATION SHEET:FORM 157	MARKING: SEE CHART	DATE:6/3/2008 SIZE: B	
			DWG NO: Y1403-D-4
			SHEET: 1 OF 1



DETAIL C
INK MARK TOP & BOTTOM



CATALOG NUMBER	"A"	"C"	"D"	"E"	"F"	"G"	TANG MARKING
CLNB-400-14-12-4	3.443	0.219	0.281	1.365	2.774	0.180	
CLNB-400-14-58-4	3.630	0.344	0.281	1.365	2.774	0.180	
CLNB-400-14-34-4	3.630	0.469	0.281	1.365	2.774	0.180	
CLNB-400-14-1-4	3.880	0.719	0.281	1.365	2.774	0.180	
CLNB-400-516-58-4	3.630	0.282	0.343	1.365	2.774	0.180	
CLNB-400-516-34-4	3.880	0.407	0.343	1.365	2.774	0.180	
CLNB-400-516-78-4	3.880	0.532	0.343	1.365	2.774	0.180	
CLNB-400-516-1-4	4.130	0.657	0.343	1.365	2.774	0.180	
CLNB-400-516-134-4	4.693	1.407	0.343	1.365	2.774	0.180	
CLNB-400-38-34-4	3.880	0.344	0.406	1.365	2.774	0.211	
CLNB-400-38-78-4	4.130	0.469	0.406	1.365	2.774	0.211	
CLNB-400-38-1-4	4.130	0.594	0.406	1.365	2.774	0.211	
CLNB-400-38-116-4	4.130	0.656	0.406	1.365	2.774	0.211	
CLNB-400-38-118-4	4.318	0.719	0.406	1.365	2.774	0.211	
CLNB-400-38-134-4	4.818	1.344	0.406	1.365	2.774	0.211	
CLNB-400-38-2-4	5.193	1.594	0.406	1.365	2.774	0.211	
CLNB-400-12-1-4	4.318	0.438	0.562	1.365	2.774	0.265	
CLNB-400-12-114-4	4.693	0.688	0.562	1.365	2.774	0.265	
CLNB-400-12-112-4	4.818	0.938	0.562	1.365	2.774	0.265	
CLNB-400-12-134-4	5.193	1.188	0.562	1.365	2.774	0.265	ILSCO, CLNB-400-12-134-4, 1/2 X 1-3/4, 400 kcmil, 300 / 313 FLEX, DIE 76, UL, CSA
CLNB-400-12-178-4	5.193	1.313	0.562	1.365	2.774	0.265	